

## LED STREET LIGHT A Powerful Alternative



### Application:

- Municipal Roadways
- Bridges
- Public Parks
- Parking Lots



### Benefits:

- 110lm/w in maintain
- Significant energy savings
- Instant on/off
- Mercury & lead free
- Resistant to shock and vibration
- Superior light quality
- No UV
- Wide input: 100 - 240V AC 12V/24V DC
- Temperature compensation technology for long life
- Simple installation
- Maintenance free
- Superior Vision-Care

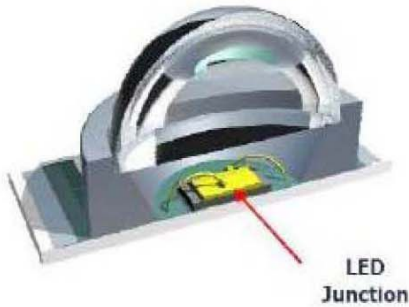
**SunMaster LED Street Lights**  
for Roadway & Pathway Applications



# Why Choose SunMaster LED

## Benefits

### 1. Chip



Professional encapsulation with Cree LED chip makes the LED light source obtaining excellent Protection of optical attenuation and heat conduction ratio.

### 2. Power Supply

With energy saving mode power supply keeps the stability, life & performance of the luminaire in optimal status;  
CE, RoHS, UL, TUV, CB Certified



### 3. Heat Sink



Use of the good thermal grease combining MCPCB and aluminium radiator closely, keeps every LEDs obtaining optimal effects of heat dissipation.

### 4. Optical lens

Utilize the mirror surface processed technics, effectively collect the invalid light and reflect them into effective.



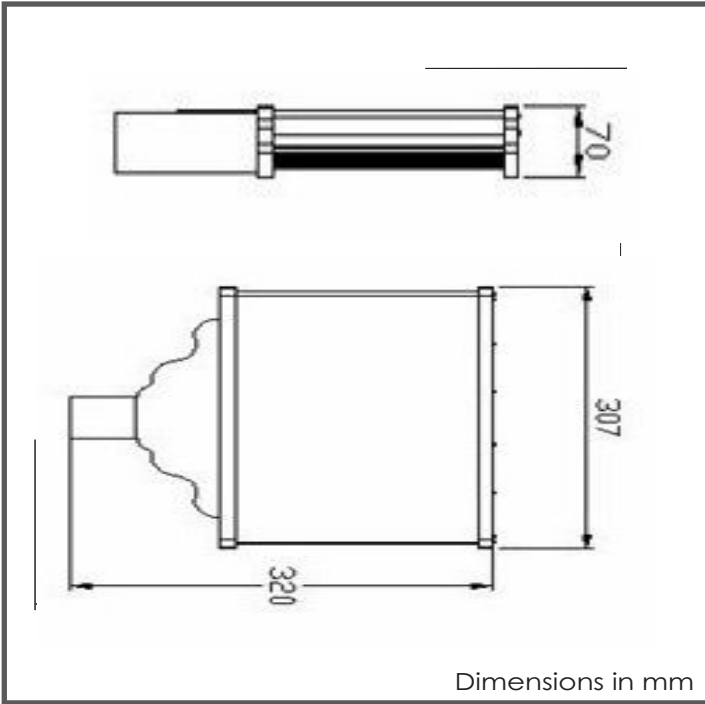
Designed the rectangular light beam directly from LEDs lens, actively control the horizontal and vertical beam angle



Model No. **SLD01-28W**

**Electrical Specifications:**

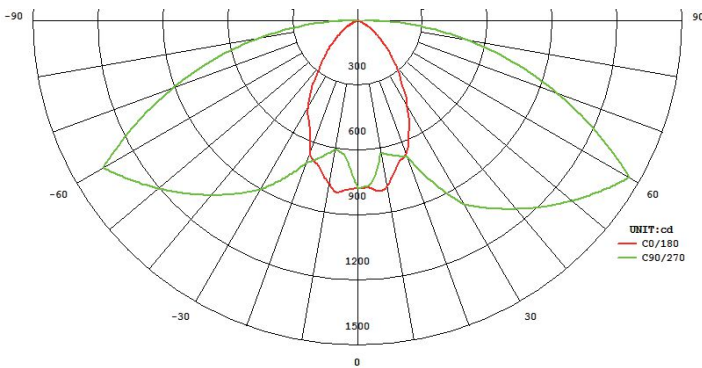
- LED Power:** 28pcs CREE / Bridgelux
- Lamp's Power:** 30W
- Operating Voltage:** 100-240V AC, 50/60Hz or 12V/24V DC
- Optimal Operating Temp:** -30 °C to +50 °C
- Operating Humidity:** 10% to 90%
- Power Fact(PF):** > 0.95
- Power Supply Effic:** > 90%



**Photometric Specifications:**

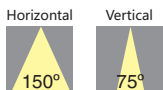
- LED Luminous Flux:** 3600 lm in Initial, 3300 lm in Maintain
- LED Luminous Effic:** Up to 130 lm/w
- CRI:** Ra >= 75
- CCT:**
  - 3000-3500K
  - 4000-4500K
  - 5000-5500K
  - 6000-6500K

**Illumination Information:**



	Height	Effective Illuminated Area:	Center Illumination (E):	Average Illumination (E):
A	A=5m	17x9m	31.0 lux	19.3 lux
B	B=6m	21x10m	21.5 lux	13.4 lux
C	C=7m	24x12m	15.8 lux	10.0 lux

\*Uniformity Coefficient: 0.588



**Mechanical Specifications:**

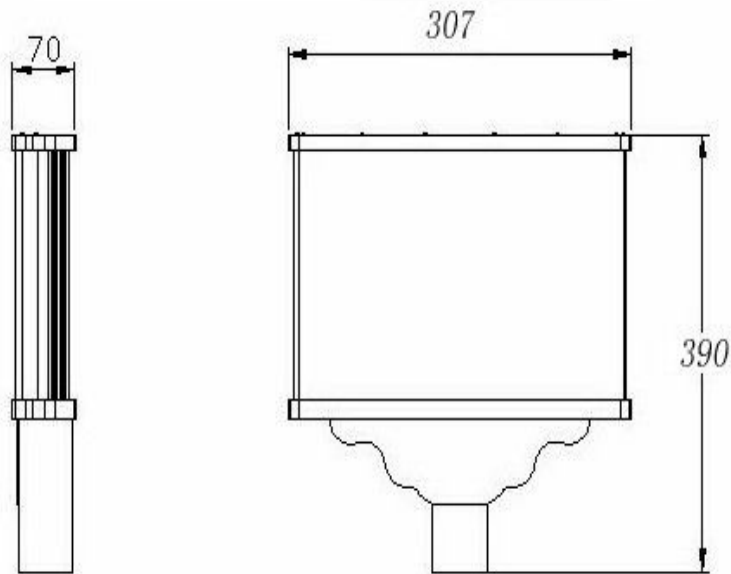
- IP Rating:** IP65
- Guarantee:** 3 years
- Heat Radiator:** Anodized Aluminum
- Face:** Toughened Glass
- Fixture Dimensions:** 320 x307 x70 mm
- Fixture Weight:** 4 kg

**Packing Information:**

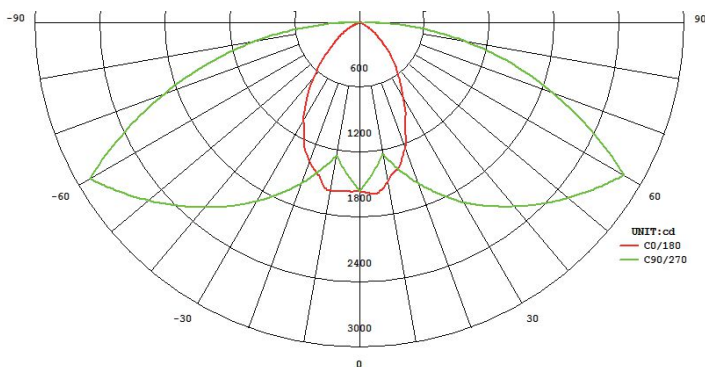
- Packing Type:** 1unit /ctn.
- Packing Dimension:** 330 x317 x80 mm
- Packing Weight:** 4.5 kg

**SunMaster LED Street Lights**

for Roadway & Pathway Applications

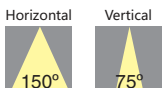


### Illumination Information:



Height	Effective Illuminated Area:	Center Illumination (E):	Average Illumination (E):
A=6m	18x10m	37.5 lux	23.4 lux
B=7m	23x11m	26.7 lux	16.75 lux
C=8m	26x13m	20.1lux	12.7lux

\*Uniformity Coefficient: 0.608



Model No. **SLD01-42W**

### Electrical Specifications:

**LED Power:** 42W  
**Lamp's Power:** 40W  
**Operating Voltage:** 100-240V AC, 50/60Hz or 12/24V DC  
**Optimal Operating Temp:** -30 °C to +50 °C  
**Operating Humidity:** 10% to 90%  
**Power Fact(PF):** > 0.95  
**Power Supply Effic:** > 90%

### Photometric Specifications:

**LED Luminous Flux:** 5200 lm  
**LED Luminous Effic:** Up to 130 lm/w  
**CRI:** Ra >= 75

**CCT:**



### Mechanical Specifications:

**IP Rating:** IP65  
**Guarantee:** 3 years  
**Heat Radiator:** Anodized Aluminum  
**Face:** Toughened Glass  
**Fixture Dimensions:** 390 x307 x70 mm  
**Fixture Weight:** 6 kg

### Packing Information:

**Packing Type:** 1unit /ctn.  
**Packing Dimension:** 400 x317 x80 mm  
**Packing Weight:** 6.5 kg

## **SunMaster LED Street Lights**

for Roadway & Pathway Applications



Model No. **SLD01-56W**

**Electrical Specifications:**

**LED Power:** 56pcsCREE OR BIRDELUX  
**Lamp's Power:** 50W  
**Operating Voltage:** 100-240V AC, 50/60Hz or 12/24V DC  
**Optimal Operating Temp:** -30 °C to +50 °C  
**Operating Humidity:** 10% to 90%  
**Power Fact(PF):** > 0.95  
**Power Supply Effic** > 90%

**Photometric Specifications:**

**LED Luminous Flux:** 7280 lm  
**LED Luminous Effic** Up to 130 lm/w  
**CRI:** Ra >= 75

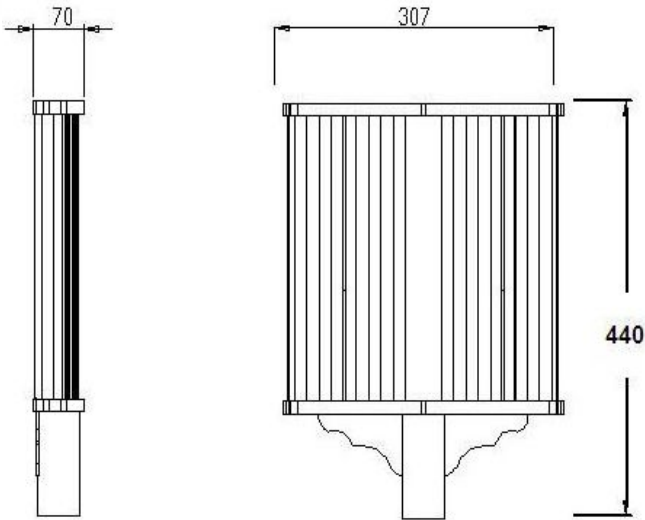
**CCT:** 3000-3500K 4000-4500K 5000-5500K 6000-6500K

**Mechanical Specifications:**

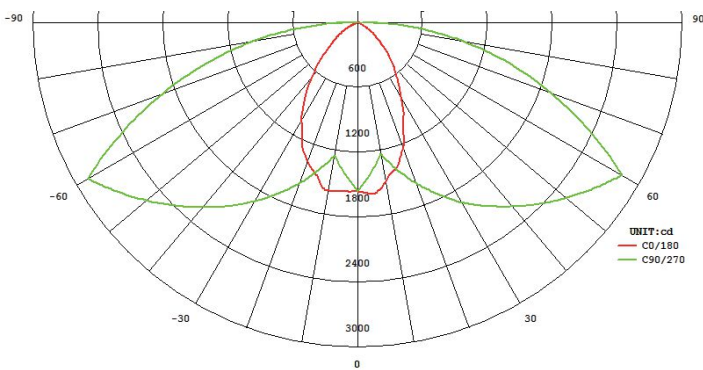
**IP Rating:** IP65  
**Guarantee:** 3 years  
**Heat Radiator:** Anodized Aluminum  
**Face:** Toughened Glass  
**Fixture Dimensions:** 440 x307 x70 mm  
**Fixture Weight:** 8 kg

**Packing Information:**

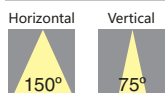
**Packing Type:** 1unit /ctn.  
**Packing Dimension:** 450 x317 x80 mm  
**Packing Weight:** 8.5 kg



**Illumination Information:**



Height	Effective Illuminated Area:	Center Illumination (E):	Average Illumination (E):
A=6m	21x10m	43.4 lux	27.4 lux
B=7m	24x12m	31.9 lux	20.1 lux
C=8m	28x14m	24.4 lux	15.4 lux

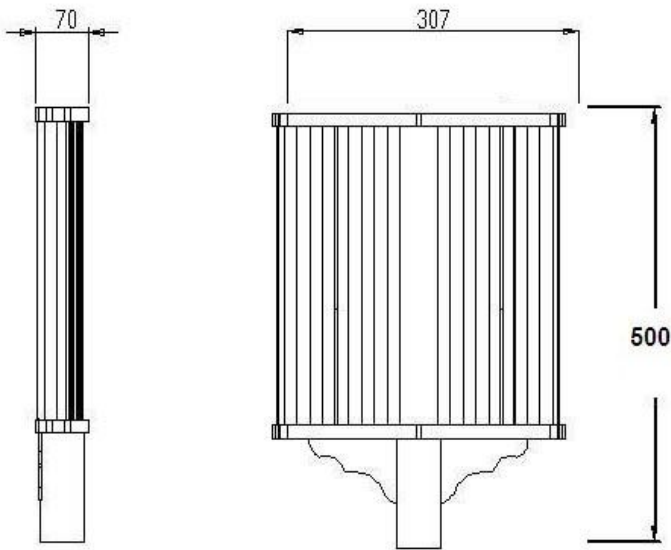


\*Uniformity Coefficient: 0.608

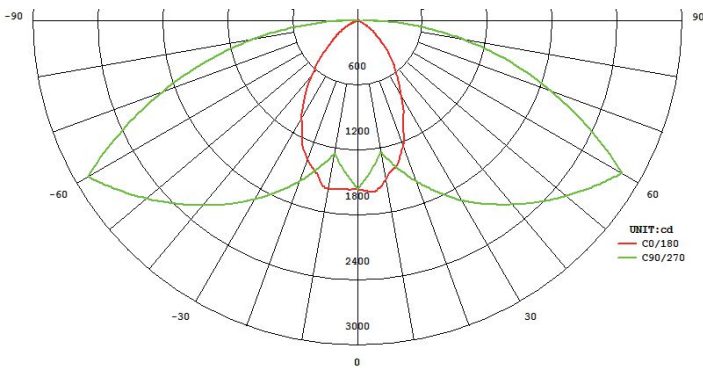
**SunMaster LED Street Lights**

for Roadway & Pathway Applications

Model No. **SLD01-70W**

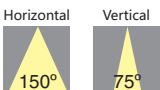


### Illumination Information:



	Height	Effective Illuminated Area:	Center Illumination (E):	Average Illumination (E):
A	A=6m	22x11m	45.7 lux	27.8 lux
B	B=7m	25x13m	34.2lux	20.8 lux
C	C=8m	30x15m	26.7lux	16.2 lux

\*Uniformity Coefficient: 0.608



### Electrical Specifications:

**LED Power:** 70pcsCREE/ BIRDGELUX  
**Lamp's Power:** 70W  
**Operating Voltage:** 100-240V AC, 50/60Hz or 12/24V DC  
**Optimal Operating Temp:** -30 °C to +50 °C  
**Operating Humidity:** 10% to 90%  
**Power Fact(PF):** > 0.95  
**Power Supply Effic** > 90%

### Photometric Specifications:

**LED Luminous Flux:** 9100 lm  
**LED Luminous Effic** Up to 130 lm/w  
**CRI:** Ra >= 75  
**CCT:** 3000-3500K 4000-4500K 5000-5500K 6000-6500K

### Mechanical Specifications:

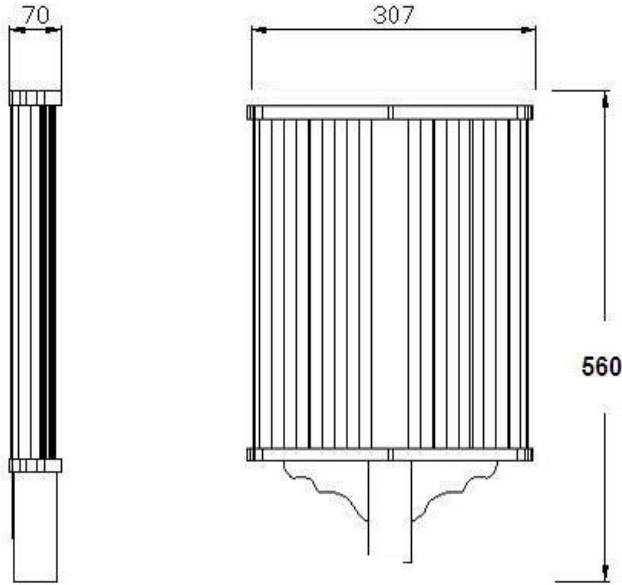
**IP Rating:** IP65  
**Guarantee:** 3 years  
**Heat Radiator:** Anodized Aluminum  
**Face:** Toughened Glass  
**Fixture Dimensions:** 500 x307 x70 mm  
**Fixture Weight:** 10 kg

### Packing Information:

**Packing Type:** 1unit /ctn.  
**Packing Dimension:** 510 x317 x80 mm  
**Packing Weight:** 10.5 kg

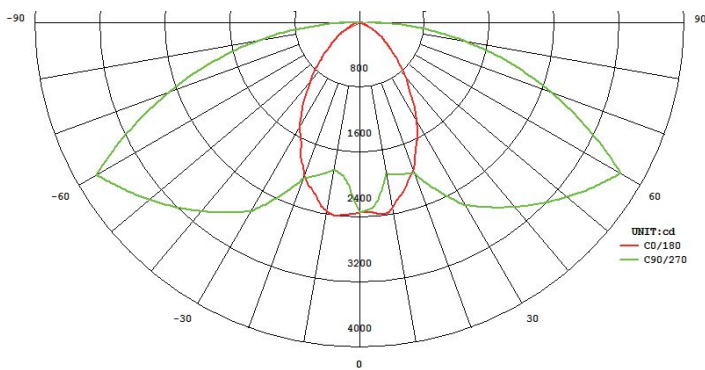
## SunMaster LED Street Lights

for Roadway & Pathway Applications



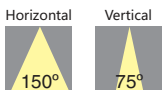
Dimensions in mm

### Illumination Information:



	Height	Effective Illuminated Area:	Center Illumination (E):	Average Illumination (E):
A	A=7m	24x12m	47.9 lux	28.2 lux
B	B=8m	28x14m	36.5 lux	21.6 lux
C	C=9m	31x16m	29.0 lux	17.0 lux

\*Uniformity Coefficient: 0.603



Model No. **SLD01-84W**

### Electrical Specifications:

<b>LED Power:</b>	84W
<b>Lamp's Power:</b>	84W
<b>Operating Voltage:</b>	100-240V AC, 50/60Hz or 24V DC
<b>Optimal Operating Temp:</b>	-30 °C to +50 °C
<b>Operating Humidity:</b>	10% to 90%
<b>Power Fact(PF):</b>	> 0.95
<b>Power Supply Effic</b>	> 90%

### Photometric Specifications:

<b>LED Luminous Flux:</b>	10920 lm in Initial
<b>LED Luminous Effic</b>	Up to 130 lm/w
<b>CRI:</b>	Ra >= 75
<b>CCT:</b>	<div style="display: flex; justify-content: space-around;"> <div style="border: 1px solid black; border-radius: 50%; padding: 2px;">3000-3500K</div> <div style="border: 1px solid black; border-radius: 50%; padding: 2px;">4000-4500K</div> <div style="border: 1px solid black; border-radius: 50%; padding: 2px;">5000-5500K</div> <div style="border: 1px solid black; border-radius: 50%; padding: 2px;">6000-6500K</div> </div>

### Mechanical Specifications:

<b>IP Rating:</b>	IP65
<b>Guarantee:</b>	3 years
<b>Heat Radiator:</b>	Anodized Aluminum
<b>Face:</b>	Toughened Glass
<b>Fixture Dimensions:</b>	560 x307 x70 mm
<b>Fixture Weight:</b>	12.0 kg

### Packing Information:

<b>Packing Type:</b>	1unit /ctn.
<b>Packing Dimension:</b>	570 x317 x80 mm
<b>Packing Weight:</b>	12.5 kg

## **SunMaster LED Street Lights**

for Roadway & Pathway Applications

Model No. **SLD98WD**



**Electrical Specifications:**

- LED Power:** 98W
- Lamp's Power:** 98W
- Operating Voltage:** 100-240V AC, 50/60Hz or 24V DC
- Optimal Operating Temp:** -30 °C to +50 °C
- Operating Humidity:** 10% to 90%
- Power Fact(PF):** > 0.95
- Power Supply Effic** > 90%

**Photometric Specifications:**

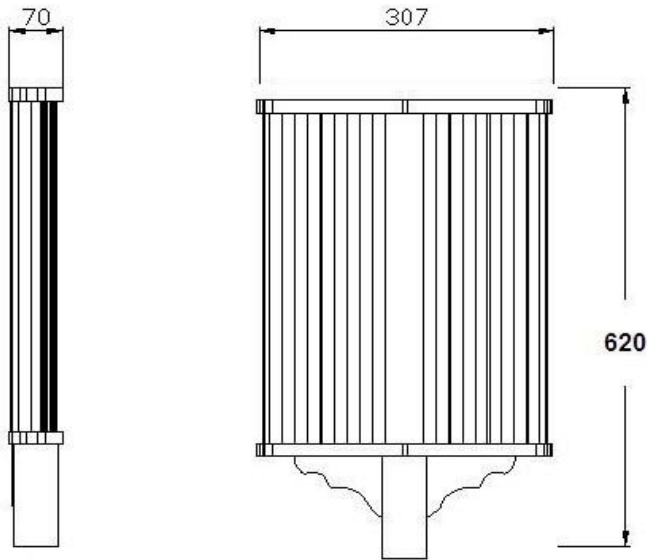
- LED Luminous Flux:** 127400 lm in Initial
- LED Luminous Effic** Up to 130 lm/w
- CRI:** Ra >= 75
- CCT:**
  - 3000-3500K
  - 4000-4500K
  - 5000-5500K
  - 6000-6500K

**Mechanical Specifications:**

- IP Rating:** IP65
- Guarantee:** 3 years
- Heat Radiator:** Anodized Aluminum
- Face:** Toughened Glass
- Fixture Dimensions:** 620 x307 x 70 mm
- Fixture Weight:** 14.0 kg

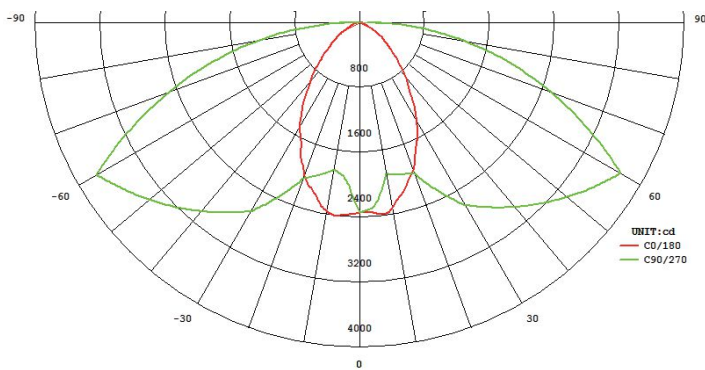
**Packing Information:**

- Packing Type:** 1unit /ctn.
- Packing Dimension:** 630 x317 x 80 mm
- Packing Weight:** 14.5 kg



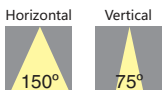
Dimensions in mm

**Illumination Information:**



	Height	Effective Illuminated Area:	Center Illumination (E):	Average Illumination (E):
A	A=7m	26x13m	49.9 lux	29.1 lux
B	B=8m	30x15m	38.5 lux	22.6 lux
C	C=9m	34x16m	30.75 lux	18.0 lux

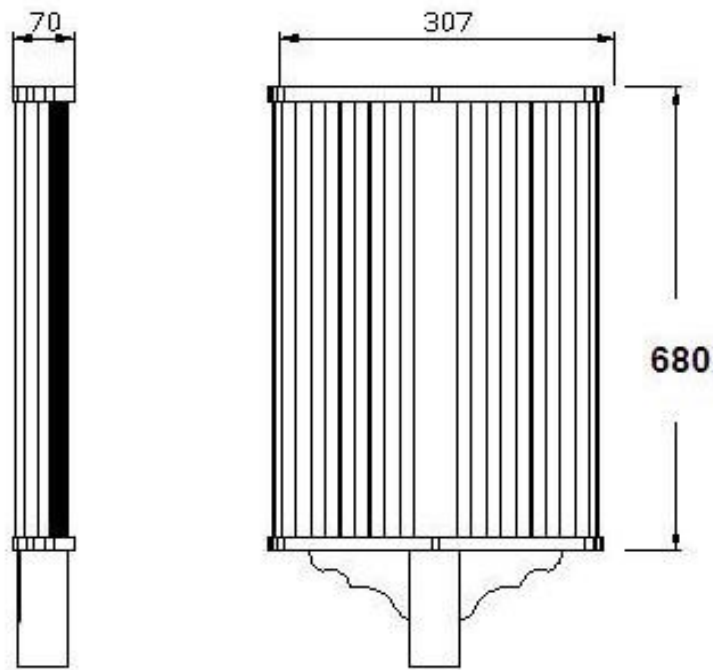
\*Uniformity Coefficient: 0.603



**SunMaster LED Street Lights**

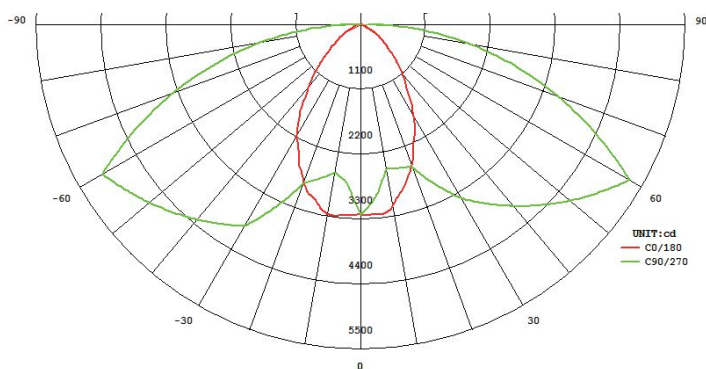
for Roadway & Pathway Applications





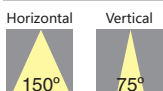
Dimensions in mm

### Illumination Information:



	Height	Effective Illuminated Area:	Center Illumination (E):	Average Illumination (E):
A	A=8m	28x14m	50.4 lux	29.8 lux
B	B=9m	31x16m	39.8 lux	23.6 lux
C	C=10m	35x17m	32.5 lux	19.1 lux

\*Uniformity Coefficient: 0.606



Model No. **SLD112W**

### Electrical Specifications:

- LED Power:** 112W
- Lamp's Power:** 112W
- Operating Voltage:** 100-240V AC, 50/60Hz
- Optimal Operating Temp:** -30 °C to +50 °C
- Operating Humidity:** 10% to 90%
- Power Fact(PF):** > 0.95
- Power Supply Efficiency:** > 90%

### Photometric Specifications:

- LED Luminous Flux:** 14460 lm in Initial
- LED Luminous Efficiency:** Up to 130 lm/w
- CRI:** Ra >= 75
- CCT:**
  - 3000-3500K
  - 4000-4500K
  - 5000-5500K
  - 6000-6500K

### Mechanical Specifications:

- IP Rating:** IP65
- Guarantee:** 3 years
- Heat Radiator:** Anodized Aluminum
- Face:** Toughened Glass
- Fixture Dimensions:** 680 x307 x70 mm
- Fixture Weight:** 16 kg

### Packing Information:

- Packing Type:** 1unit /ctn.
- Packing Dimension:** 690 x317 x80 mm
- Packing Weight:** 16.5 kg

## SunMaster LED Street Lights

for Roadway & Pathway Applications

Model No. **SLD126W**

**Electrical Specifications:**

**LED Power:** 126W  
**Lamp's Power:** 126W  
**Operating Voltage:** 100-240V AC, 50/60Hz  
**Optimal Operating Temp:** -30 °C to +50 °C  
**Operating Humidity:** 10% to 90%  
**Power Fact(PF):** > 0.95  
**Power Supply Efficiency:** > 90%

**Photometric Specifications:**

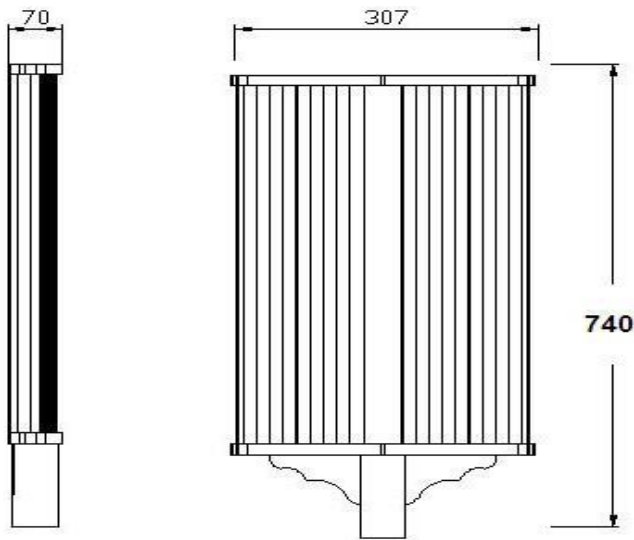
**LED Luminous Flux:** 16380 lm in Initial  
**LED Luminous Efficiency:** Up to 130 lm/w  
**CRI:** Ra >= 75  
**CCT:** 3000-3500K 4000-4500K 5000-5500K 6000-6500K

**Mechanical Specifications:**

**IP Rating:** IP65  
**Guarantee:** 3 years  
**Heat Radiator:** Anodized Aluminum  
**Face:** Toughened Glass  
**Fixture Dimensions:** 740 x307 x70 mm  
**Fixture Weight:** 18 kg

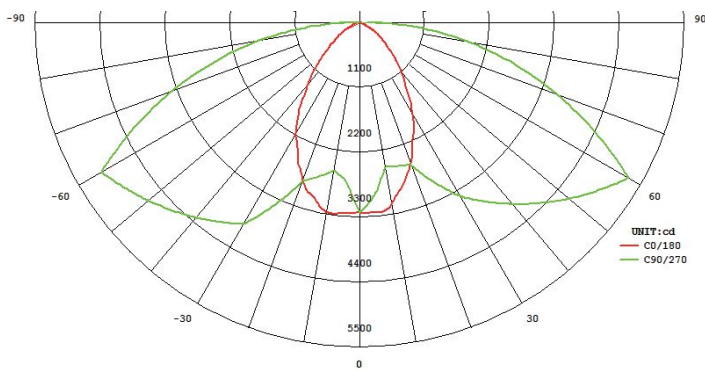
**Packing Information:**

**Packing Type:** 1unit /ctn.  
**Packing Dimension:** 750 x317 x80 mm  
**Packing Weight:** 18.5 kg



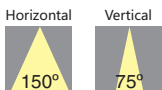
Dimensions in mm

**Illumination Information:**



	Height	Effective Illuminated Area:	Center Illumination (E):	Average Illumination (E):
A	A=8m	30x16m	53.2 lux	30.5lux
B	B=9m	33x18m	42.5 lux	25.5 lux
C	C=10m	37x19m	34.7 lux	22.3 lux

\*Uniformity Coefficient: 0.606



**SunMaster LED Street Lights**

for Roadway & Pathway Applications

Model No. **SLD140W**



**Electrical Specifications:**

**LED Power:** 140W  
**Lamp's Power:** 140W  
**Operating Voltage:** 100-240V AC, 50/60Hz  
**Optimal Operating Temp:** -30 °C to +50 °C  
**Operating Humidity:** 10% to 90%  
**Power Fact(PF):** > 0.95  
**Power Supply Efficiency:** > 90%

**Photometric Specifications:**

**LED Luminous Flux:** 18200 lm in Initial  
**LED Luminous Efficiency:** Up to 130 lm/w  
**CRI:** Ra >= 75

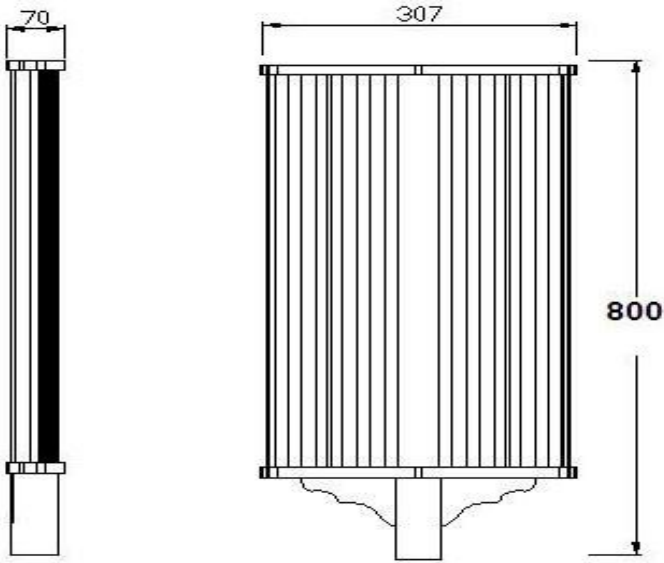
**CCT:** 3000-3500K 4000-4500K 5000-5500K 6000-6500K

**Mechanical Specifications:**

**IP Rating:** IP65  
**Guarantee:** 3 years  
**Heat Radiator:** Anodized Aluminum  
**Face:** Toughened Glass  
**Fixture Dimensions:** 800 x307 x70 mm  
**Fixture Weight:** 20 kg

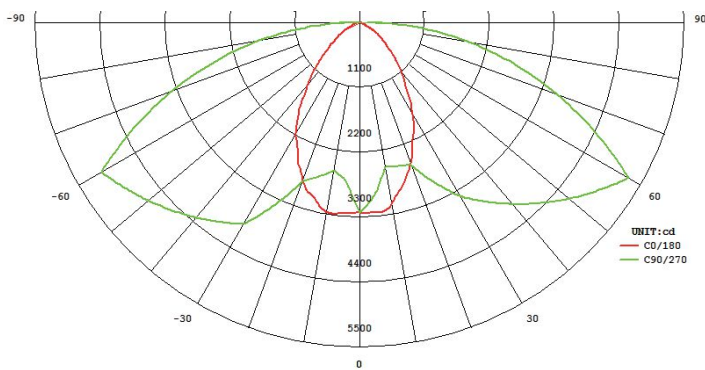
**Packing Information:**

**Packing Type:** 1unit /ctn.  
**Packing Dimension:** 810 x317 x80 mm  
**Packing Weight:** 20.5



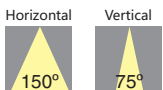
Dimensions in mm

**Illumination Information:**



	Height	Effective Illuminated Area:	Center Illumination (E):	Average Illumination (E):
A	A=8m	32x18m	54.6 lux	32.8 lux
B	B=9m	35x20m	44.9 lux	27.6 lux
C	C=10m	37x21m	36.5 lux	25.7 lux

\*Uniformity Coefficient: 0.606



**SunMaster LED Street Lights**

for Roadway & Pathway Applications



# Sunmaster® LED Street Light

## SLD01 Technical Parameters

### 1. Revolutionary Photometric Design

The world's first dedicated optical system (rectangular beam focusing lens). Reasonable control of the light distribution, spot rectangular beam pattern, and ensure an ideal uniformity of brightness on the road surface;

### 2. Creative Design of the Radiator and Lamp holder Integration

Fully protect LED life and heat dissipation requirements, satisfied with the structure and design of LED Lights fundamentally, with the most distinctive features of LED Lights (see attached picture);

### 3. Intelligent Current Control

Each LED module can implement intelligent current control, whatever power network how to wave, it is able to achieve the precision constant current, ensure the LED can work under the secure current;

### 4. No Adverse Glare

Eliminate the glare caused by the adverse ordinary lights glare and visual fatigue sight interference, improve driving safety, reduce the incidence of traffic accidents, fully embodies the spirit of "People-oriented Technology" in this product;

### 5. No Light Pollution

Light Distribution designed for road lighting, in addition to illuminate the path and will not illuminate the road outside the region. Eliminate the interference signal by the residents of the light into the rest room;

### 6. No High-voltage, No Dust Adsorption

Eliminate the high-voltage adsorb the dust cause the lampshade become dark, reduce the brightness;

### 7. No High-temperature, No Aging Yellow Lampshade

Eliminate baking the traditional lampshade which causes aging yellow, shortened life expectancy and decrease the brightness;

### 8. Widest Working Voltage

The traditional sodium lights working voltage wave is over  $\pm 7\%$  which will decline the life and brightness, while DMX LED Streetlights working voltage is  $\pm 20\%$  wave, the life and brightness keep still;

### 9. Start without Delay

Reach the normal brightness and do not have to wait when switch on, eliminate a long process of starting of the traditional street lights;

### 10. No Strobe Flashing

Eliminate the visual fatigue which caused by the strobe lights of the traditional street lamps;

**Jinhua SunMaster Solar Technology Co. Ltd**

Manufacturing factory: Zhejiang (China) - International sales office: Milan (Italy)

Telephone: +39 02.51.62.13.75 - E.mail: [export@chinasunmaster.com](mailto:export@chinasunmaster.com)

Web: [www.solarlightsmanufacturer.com](http://www.solarlightsmanufacturer.com)

